

Presence detector - Professional Line

HF 360

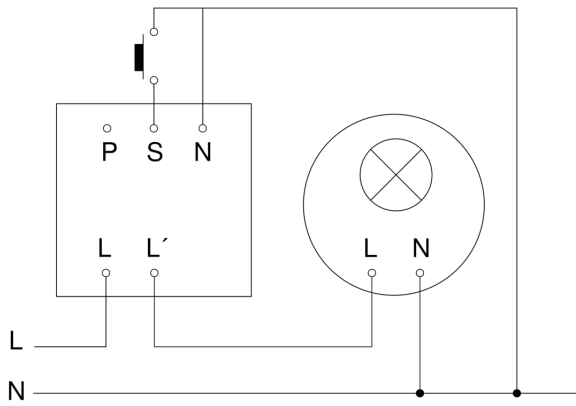
COM1 - Surface wiring
EAN 4007841 751302
Article number 751302



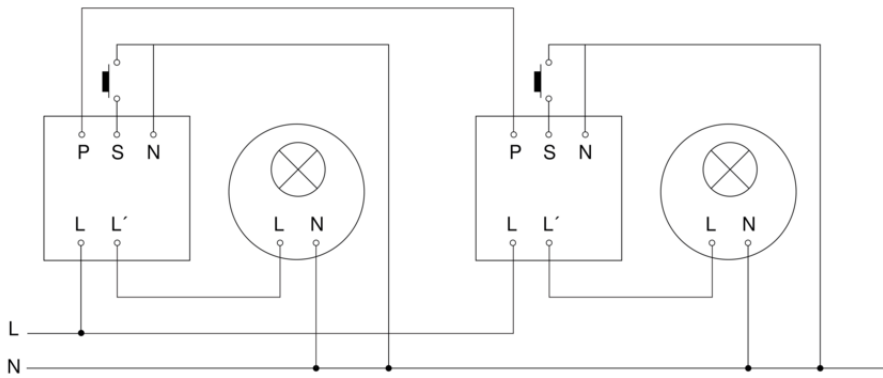
HF 360

COM1 - Surface wiring
EAN 4007841 751302
Article number 751302

Master circuit diagram



Master/master interconnection circuit diagram



HF 360

COM1 - Surface wiring
EAN 4007841 751302
Article number 751302



Master/slave interconnection circuit diagram

